

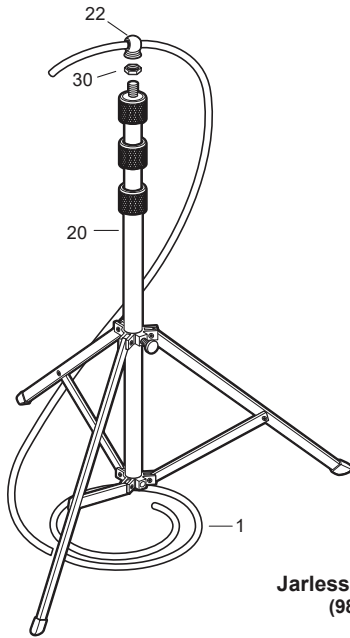


**PRODUCT:**

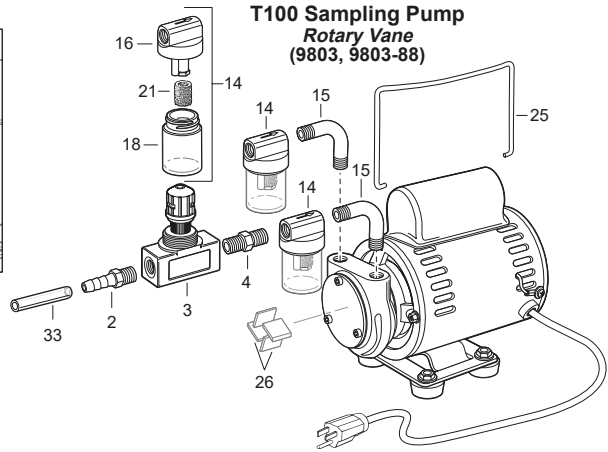
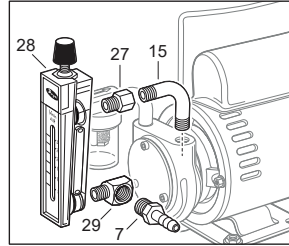
**SAMPLING PUMPS**

**PART NUMBER:**

**9801 (JARLESS WITH STAND)**  
**9801-88 (JARLESS WITHOUT STAND)**  
**9800, 9800-88, 9803, 9803-88, 9803M, 9803-88M,**  
**9804-88, 9805, 9805-88 - DISCONTINUED**

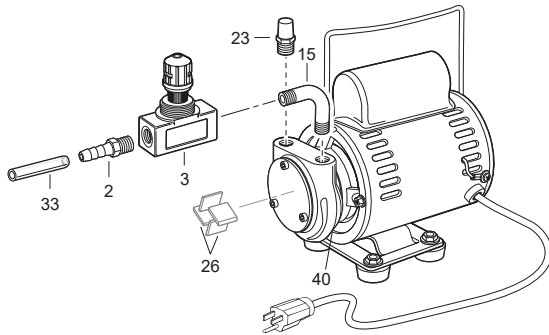


**T100M Sampling Pump**  
*Rotary Vane*  
 (9803M, 9803-88M)

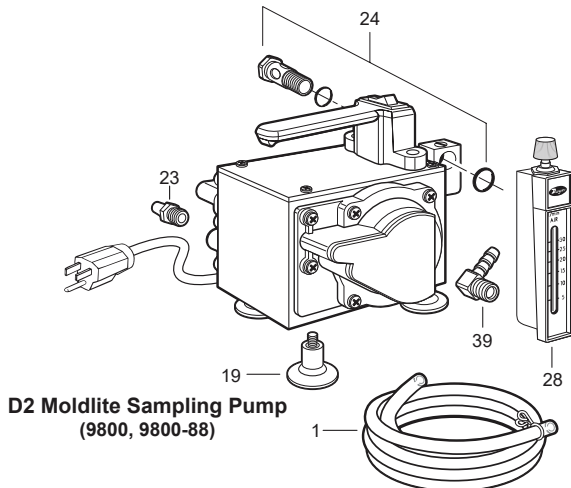
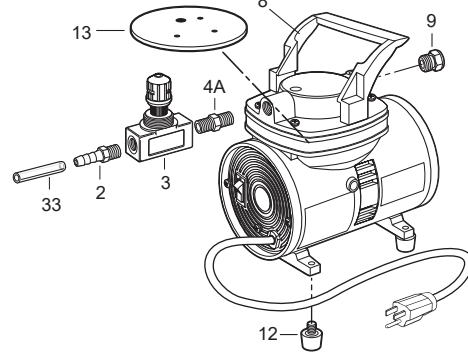


**T100 Sampling Pump**  
*Rotary Vane*  
 (9803, 9803-88)

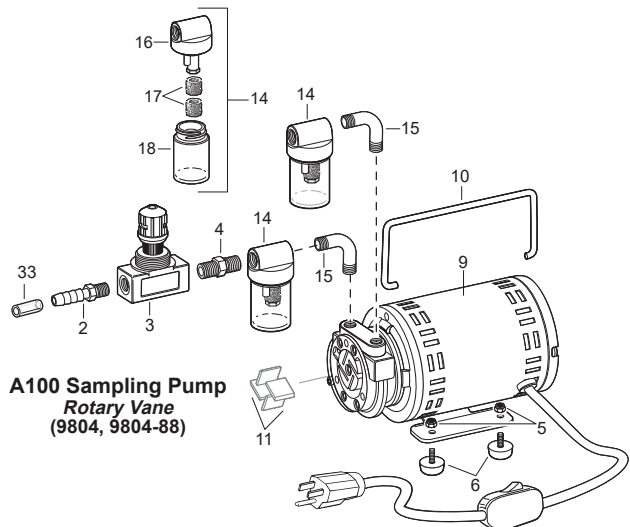
**Jarless Sampling Pump**  
 (9801, 9801-88)



**Diaphragm Sampling Pump**  
 (9805, 9805-85)



**D2 Moldlite Sampling Pump**  
 (9800, 9800-88)

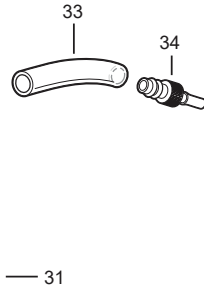
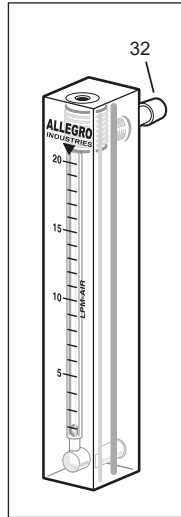


**A100 Sampling Pump**  
*Rotary Vane*  
 (9804, 9804-88)

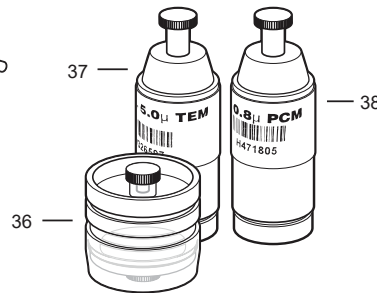


<b>PRODUCT:</b>	<b>SAMPLING PUMP ACCESSORIES</b>
<b>PART NUMBER:</b>	<b>9804-03 (FLOW METER) 9804-14, 9804-16, 9804-17 (LEAD, PCM, TEM CASSETTES) 9804-20, 9804-21 (M2 CASSETTES)</b>

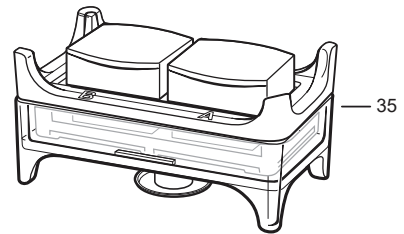
### Flow Meters



### Cassettes



### M2



KEY	PART #	DESCRIPTION	KEY	PART #	DESCRIPTION	KEY	PART #	DESCRIPTION
	9800	D2 Moldlite Sampling Pump w/ Stand (DISCONTINUED)	4	9804-22	Hex Nipple	25	9803-05	Handle
	9801	Jarless Sampling Pump w/ Stand	4a	9805-22	Hex Nipple	26	9803-30S	Vanes (Set of 4)
	9801-88	Jarless Sampling Pump w/o Stand	5	9804-69	Acorn Nut	27	9803-88MC	Adapter
	9803	T100 Rotary Vane Sampling Pump w/ Stand (DISCONTINUED)	6	9804-06	Rubber Feet	28	9803-88BA	Flow Meter (5-30 LPM)
	9803-88	T100 Rotary Vane Sampling Pump w/o Stand (DISCONTINUED)	7	9803-88MB	Hose Barb	29	9872-18	Adapter
	9803M	T100M Rotary Vane Sampling Pump w/ Stand (DISCONTINUED)	8	9805-15	Handle	30	9804-08C	Stand Top Nut
	9803-88M	T100M Rotary Vane Sampling Pump w/o Stand (DISCONTINUED)	9	9805-12	Exhaust Muffler	31	9804-03A	Flow Meter w/o Adapter (0-20 LPM)
	9804	A100 High Volume Sampling Pump w/Stand (DISCONTINUED)	10	9804-05	Handle	32	9804-03B	Barb
	9804-88	A100 Sampling Pump w/ Stand (DISCONTINUED)	11	9804-41S	Vanes (Set of 4)	33	9804-07G	Poly Tube (4")
	9805	Diaphragm Sampling Pump w/ Stand (DISCONTINUED)	12	9805-14	Feet	34	9804-19	Adapter
	9805-88	Diaphragm Sampling Pump w/o Stand (DISCONTINUED)	13	9805-13	Diaphragm	35	9804-20	M2 Multi-Mold Cassette (Box of 25 Cassettes/50 Samples)
			14	9804-71	Muffler Assembly		9804-21	M2 Multi-Mold Cassette (Box of 5 Cassettes/10 Samples)
			15	9804-25	Elbow			
			16	9804-72	Muffler Base	36	9804-14	Lead Cassette (50/Box)
			17	9804-01	Filter Element	37	9804-17	TEM Cassette (50/Box)
			18	9804-02	Filter Jar (Glass)	38	9804-16	PCM Cassette (50/Box)
			19	9800-54	Feet	39	9801-L	Barb
			20	9804-08	Stand	40	9801-06	Filter (Foam) NOT SHOWN
			21	9803-06	Filter Element		9804-02B	Filter Jar (Plastic)
			22	9804-08B	Stand Knob			
1	9804-07	Tubing (5 feet)	23	9800-52	Exhaust Filter			
2	9804-24	Hose Barb	24	9800-53	O-ring and Fastener			
3	9804-04	Variable Flow Regulator						
								<b>Accessories (Not Shown)</b>
							9804-07B	Tubing (100 Feet)