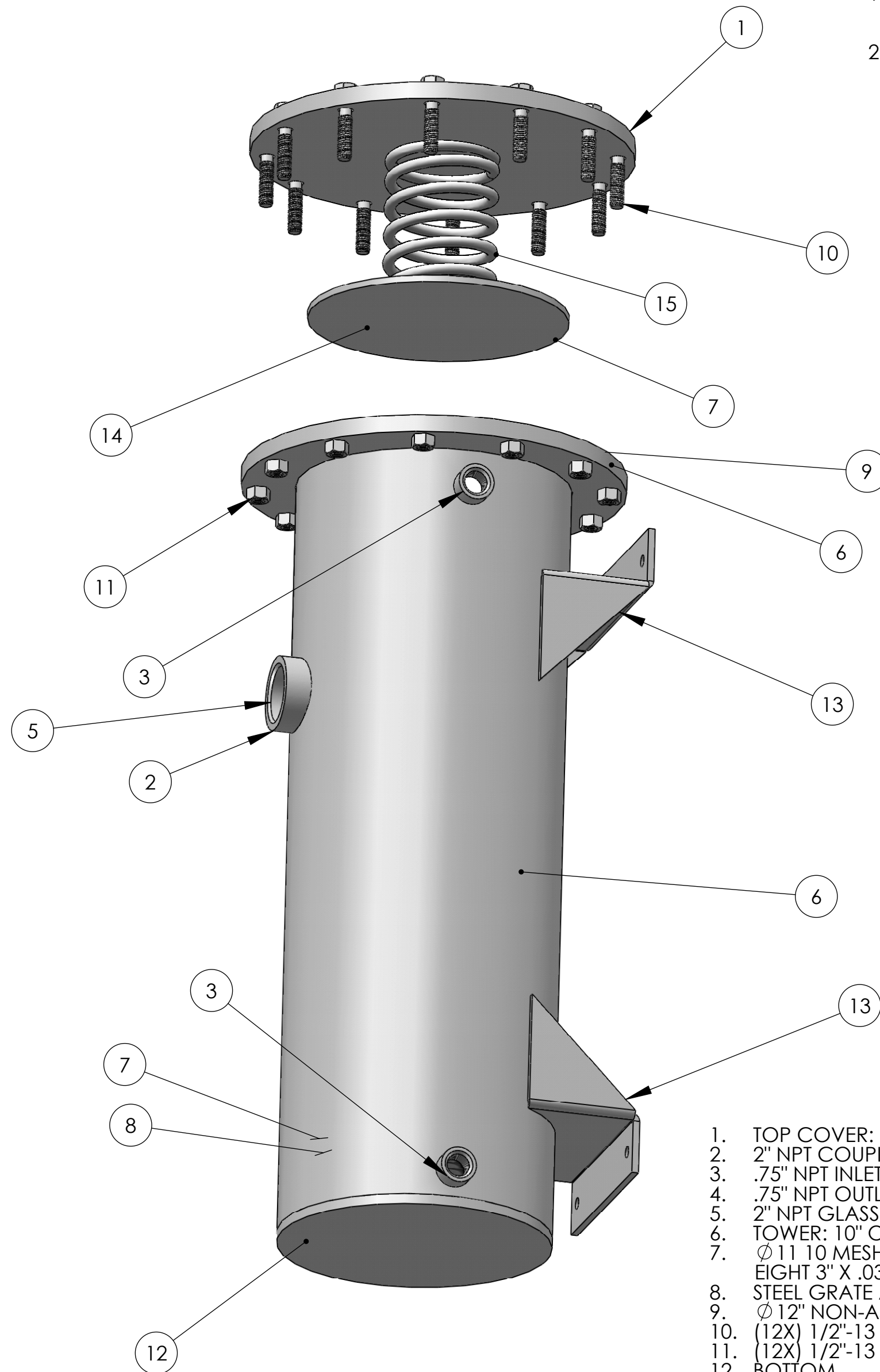
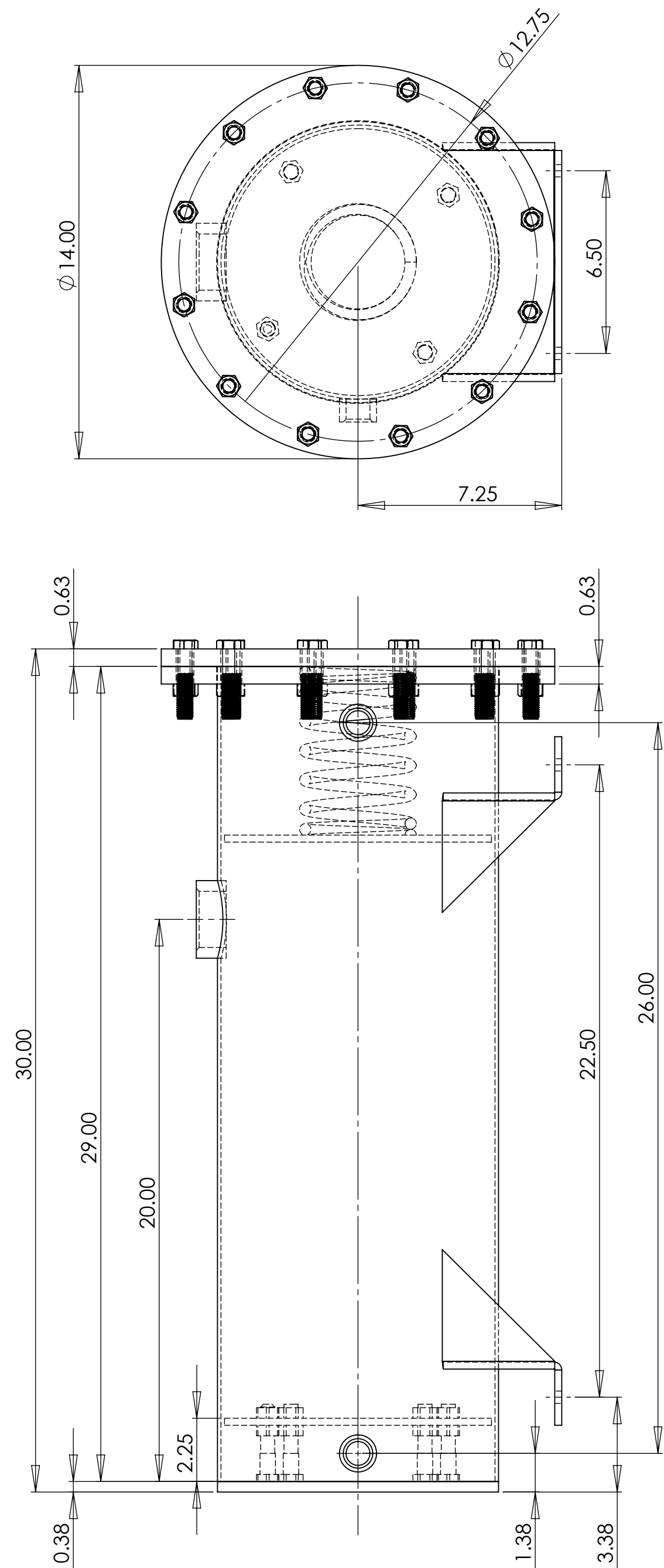


NOTES

- DESICCANT CAPACITY 65 LBS.
DU-CAL DRIERITE STOCK # 41050
1/4 LB INDICATING DRIERITE STOCK # 21001
- MAX WORKING PRESSURE: 50 PSIG WITH ASME CODE TEST AND STAMP



- TOP COVER: .625" THICK
- 2" NPT COUPLING (PURCHASE MODIFY)
- .75" NPT INLET COUPLING (PURCHASE MODIFY)
- .75" NPT OUTLET COUPLING (PURCHASE MODIFY)
- 2" NPT GLASS SIGHT WINDOW (USE TEFLON SEALANT)
- TOWER: 10" OD ROLLED SHEET X .125" THICK
- ϕ 11 10 MESH 304SS SCREEN (ATTACHED TO GRATE WITH EIGHT 3" X .032" SS WIRES)
- STEEL GRATE AND SUPPORT LEGS
- ϕ 12" NON-ASBESTOS COMPOSITION GASKET
- (12X) 1/2"-13 X 2.25" A-325 BOLTS ZINC PLATED
- (12X) 1/2"-13 A-325 NUTS ZINC PLATED
- BOTTOM
- MOUNTING FLANGES
- TOP PERF. PLATE
- SPRING 4" O.D. C 6" TALL (ϕ .307" WIRE X 6.5 COILS)

PROPRIETARY AND CONFIDENTIAL
THE INFORMATION CONTAINED IN THIS DRAWING IS THE SOLE PROPERTY OF W.A. HAMMOND DRIERITE CO. ANY REPRODUCTION IN PART OR AS A WHOLE WITHOUT THE WRITTEN PERMISSION OF W.A. HAMMOND DRIERITE CO. IS PROHIBITED.

UNLESS OTHERWISE SPECIFIED:		NAME	DATE	W.A. HAMMOND DRIERITE CO. P.O. Box 460 Xenia, OH 45385 Phone (937) 376-2927 Fax (937) 376-1977 www.drierite.com <mailto:drierite@aol.com>
DIMENSIONS ARE IN INCHES		DRAWN	CZG 3-5-08	
TOLERANCES:		CHECKED	X X	
FRACTIONAL \pm		ENG APPR.	X X	
ANGULAR: MACH \pm BEND \pm		MFG APPR.	X X	TITLE: TRUCK DRIER MODEL TD-165-C
TWO PLACE DECIMAL \pm		Q.A.	X X	SIZE DWG. NO. REV
THREE PLACE DECIMAL \pm		COMMENTS:		C DRI-TD165C-ASM -
INTERPRET GEOMETRIC TOLERANCING PER:				SCALE: 1:20 SHEET 1 OF 1
MATERIAL ALL PARTS MILD STEEL UNLESS NOTED				
FINISH ENAMEL GREY				
NEXT ASSY	USED ON			
APPLICATION DO NOT SCALE DRAWING				