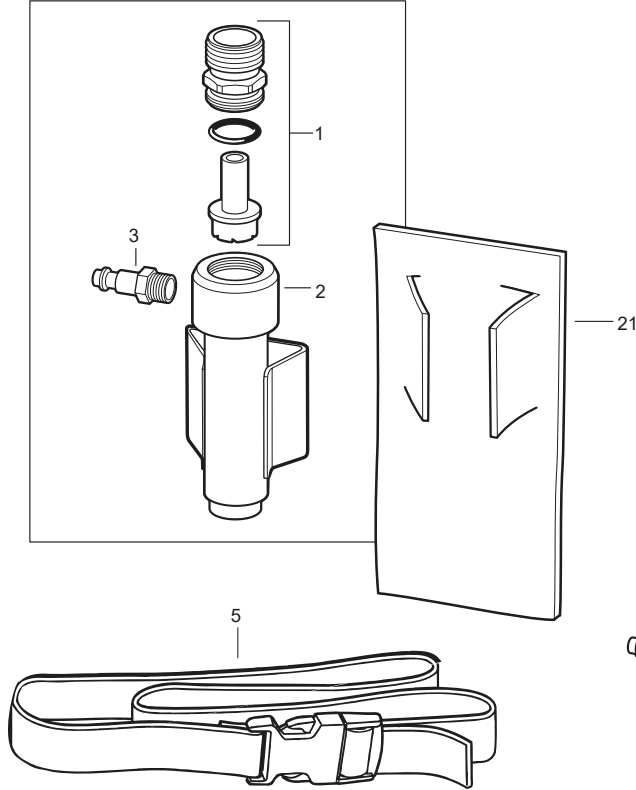


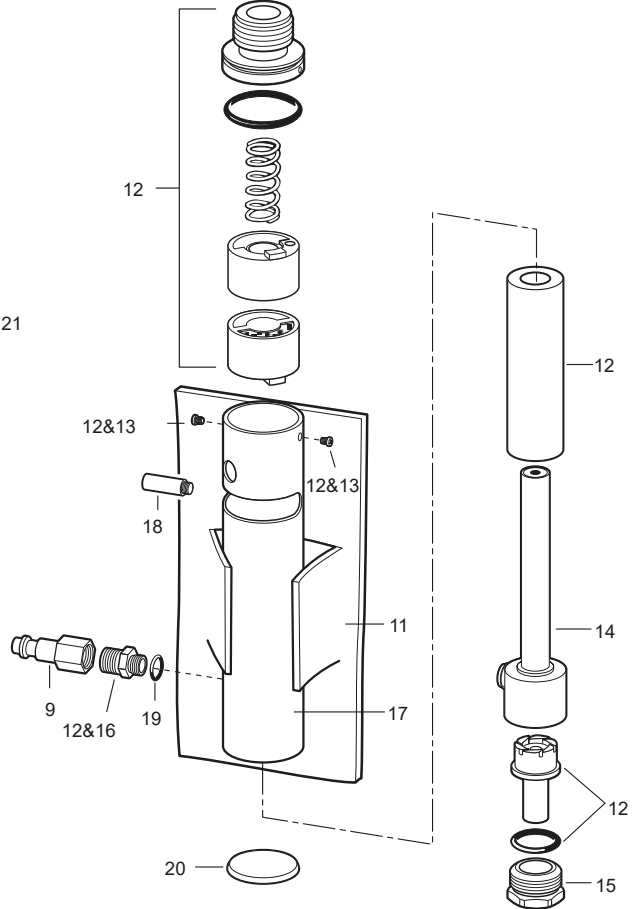


PRODUCT:	AIR CONTROLLERS/COOLERS
PART NUMBER:	9990 (AIR TEMPERATURE CONTROLLER) 9991 (PERSONAL AIR COOLER) 9992 (ADJUSTABLE FLOW CONTROLLER)

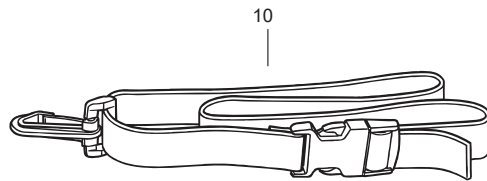
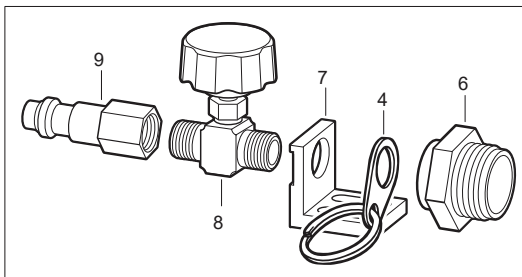
Personal Air Cooler (9991)



Air Temperature Controller (9990)



Adjustable Flow Controller (9992)



KEY	PART #	DESCRIPTION	KEY	PART #	DESCRIPTION	KEY	PART #	DESCRIPTION
	9990	Air Temperature Controller	6	9910-11A	Outlet Threaded Connector	14	9990-42	Vortex Body
	9991	Personal Air Cooler	7	9992-03	Control Valve Bracket	15	9990-43	Brass Cold Cap
	9992	Adjustable Flow Controller	8	9992-01A	Adjustable Flow Control Valve Assembly	16	9990-44	Compressed Air Inlet
1	9991-70	Rebuild Kit for 9991	9	8400-04S	Plug, Stainless Steel	17	9990-49	Vortex Cooler Housing
2	9991-23	Cooler Housing	10	9900-02	Waist Belt Assembly w/Clip (Used w/ 9992)	18	9990-51	Adjustment knob
3	8400-04AS	Plug (Hansen), Stainless Steel	11	9990-02	Cooler / Heater Pad	19	9990-50	O-Ring
4	9900-15	Key Ring & Metal Tab Assembly	12	9990-70	Rebuild Kit for 9990	20	9990-53	End Cap
5	9900-01	Metal (Purchased before 11/1/13)	13	9990-41	Housing Screws	21	9991-02	Cooler Pad (Optional)
	9990-01P	Plastic (Purchased after 11/1/13)						